

Signify[®]

**RETRO TURNTABLE
WITH LEGS**



Model Number: EA2266



INSTRUCTION MANUAL

Welcome

Congratulations on choosing to buy a Signify product.

All products brought to you by Signify are manufactured to the highest standards of performance and safety, and, as part of our philosophy of customer service and satisfaction, are backed by our comprehensive 1 Year Warranty and customer technical support line.

This comprehensive instruction manual will provide you with a detailed guide on how to operate your product and will also assist you in troubleshooting any problems that you may encounter.

If you have any queries regarding the use of this product, please feel free to phone our technical support line for some friendly advice. If you are experiencing difficulties or believe that the product may have a technical fault, we will assist you in rectifying the issue. We can generally solve most problems simply and quickly over the phone, so please always phone us first!

We are sure that you will enjoy using this product and you can expect to gain years of service from this product when it is used and maintained in the correct manner.

Contents

Welcome	02
Warranty Details	04
General Information and Safety Instructions	05
Product Overview	08
Front and Side View	08
Turntable	09
Front and Rear Control Panels	10
Getting Started	11
Instructions	12
Handling Vinyl Records	12
Playing Vinyl Records	12
Replacing the Stylus	13
Using the Headphone Input	14
Using the Auxiliary Input	14
Using the RCA Audio Output	15
Controlling the Bass/Treble	16
Bluetooth® Streaming	16
Frequently Asked Questions	17
Repair and Refurbished Goods or Parts Notice	18
Other Useful Information	19
Cleaning and Maintenance	19
Storage	19
Responsible Disposal	20
Specification Table	20



Signify[®]

Retro Turntable with Legs

Warranty Details

REGISTER YOUR PURCHASE AT www.aldi.com.au/en/about-aldi/product-registration/
TO KEEP UP-TO-DATE WITH IMPORTANT PRODUCT INFORMATION

The product is guaranteed to be free from defects in workmanship and parts for a period of 12 months from the date of purchase. Defects that occur within this warranty period, under normal use and care, will be repaired, replaced or refunded at our discretion. The benefits conferred by this warranty are in addition to all rights and remedies in respect of the product that the consumer has under the Competition and Consumer Act 2010 and similar state and territory laws.

Our goods come with guarantees that cannot be excluded under the Australian Consumer Law. You are entitled to a replacement or refund for a major failure and for compensation for any other reasonably foreseeable loss or damage. You are also entitled to have the goods repaired or replaced if the goods fail to be of acceptable quality and the failure does not amount to a major failure.

AFTER SALES SUPPORT

  1300 777 137

 service@unclebills.com.au

MODEL: EA2266 PRODUCT CODE: 714166 12/2023



General Information and Safety Instructions

RETAIN FOR FUTURE USE

Read this manual thoroughly before first use, even if you are familiar with this type of product. The safety precautions enclosed herein reduce the risk of fire, electric shock and injury when correctly adhered to. Please keep this Instruction manual in a safe place along with your purchase receipt, warranty card and carton for future reference. If applicable, pass these instructions and packaging on to the next owner of the product. Always follow basic safety precautions and accident prevention measure when using an electrical product.

1. Read all instructions before using the Turntable with Legs.
2. Never allow children to play with electrical equipment.
3. Do not use the Turntable with Legs for anything other than its intended use.
4. Before turning on, ensure the electrical voltage and frequency of the circuit corresponds to those indicated on the rating label of the power adaptor.
5. Do not allow the Turntable with Legs, its power adaptor, cord or plug to come into contact with water or any other liquid.
6. The Turntable with Legs is not intended to be operated by means of an external timer or any type of separate remote control system.
7. The use of attachments not recommended or sold by the manufacturer is dangerous and may cause fire, electric shock or injury.
8. This Turntable with Legs is intended to be used indoors, for household use only. Do not use the Turntable with Legs outdoors.
9. Keep the Turntable with Legs, its power adaptor, cord and plug out of direct sunlight.
10. Do not use an extension cord with this Turntable with Legs unless completely necessary. If an extension cord is used please ensure that it has a rating equal or exceeding the rating of the power adaptor.
11. Do not pull or carry by the power cord, use the cord as a handle, close a door on the cord, or pull the cord around sharp edges or corners. Keep the cord away from heated surfaces.
12. Do not bend or damage the power cord.
13. Always unplug the Turntable with Legs when not in use. To disconnect from the power supply, first ensure the power switch is turned off, then grip the plug and pull from the power socket. Never pull by the cord. The power plug must be removed from the power socket before cleaning, servicing, or maintenance.
14. Unplug the Turntable with Legs in cases of electrical storms to protect against the possibility of power surges damaging the turntable.
15. Never force the plug into an outlet.

General Information and Safety Instructions (cont.)

16. Ensure that power sockets are not overloaded by operating several electrical products that exceed the power supply of the socket. Review the rating label of each electrical product being operated to ensure that they do not exceed the capacity of the power socket. Always turn off and unplug any electrical product that is not being used.
17. Never operate the Turntable with Legs with wet hands, submerge under water, or spill liquids into the turntable.
18. Always turn the Turntable with Legs off and disconnect from the power source before cleaning. Never use liquid cleaners, use a soft dry (or slightly damp) cloth to wipe over.
19. Do not place the Turntable with Legs near a hot burner (gas or electric), heat sources, or open flames.
20. Improper installation may result in the risk of fire, electric shock, and/or injury to persons.
21. If the power adaptor or its cord or plug is damaged, do not use the Turntable with Legs. Please contact the After Sales Support Line for assistance.
22. Always ensure that the power adaptor and cord are placed in a safe location to ensure that they cannot be stepped on or cannot pose a tripping hazard. Do not place any items on or against the power adaptor and cord.
23. The manufacturer and retailer are not responsible for any eventual damages caused by improper or faulty use.
24. The Turntable with Legs and its power adaptor has no user serviceable parts contained within (with the exception of the stylus). Do not attempt to repair, disassemble, or modify the Turntable with Legs or its power adaptor.

NOTE: See page 13 for further details on how to replace the stylus.

25. This Turntable with Legs is not intended for use by persons (including children) with reduced physical, sensory or mental capabilities, or lack of experience and knowledge, unless they have been given supervision or instruction concerning use of the product by a person responsible for their safety. Children should be supervised to ensure they do not play with the Turntable with Legs.
26. Ensure that all packaging and plastic bags that were included in the Turntable with Legs gift box are kept out of reach from children to avoid potential danger of suffocation.
27. Do not use the Turntable with Legs on an unstable surface.
28. The Turntable with Legs must ONLY be powered by the power adaptor that is supplied with the product. Do not use any other power adaptor. If you experience difficulties with the power adaptor supplied, please contact the customer support line for assistance.
29. Be extremely careful when unpacking or relocating the Turntable with Legs and its power adaptor. Ensure that the Turntable with Legs and power adaptor are not dropped, bumped or have excessive force applied. Impacts such as these can damage the product and its internal components.

General Information and Safety Instructions (cont.)

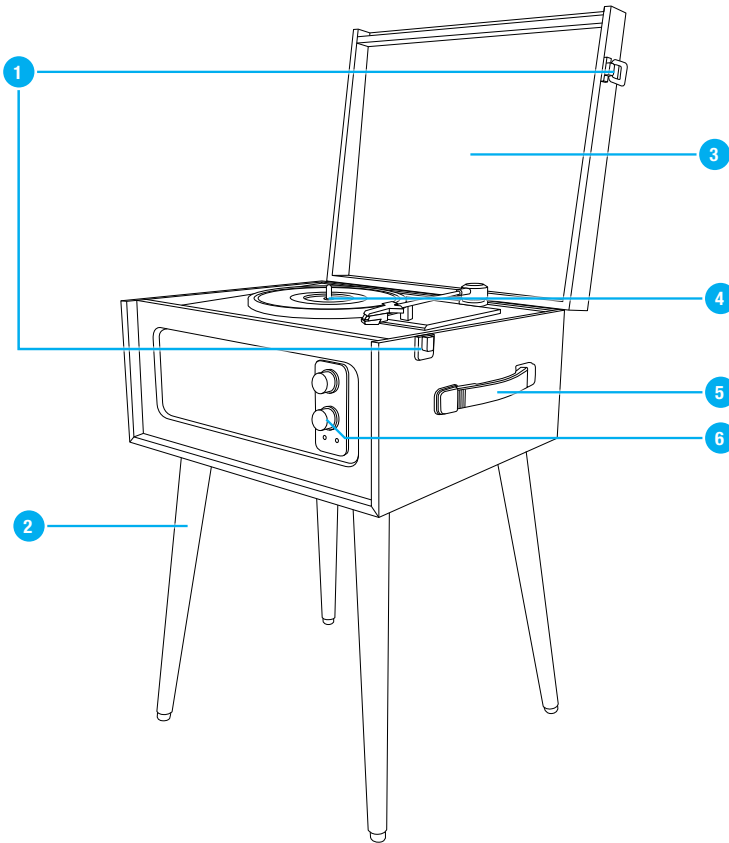
30. We recommend that, where possible, all items are assembled near to the area in which they will be placed in use, to avoid moving the unit unnecessarily once assembled.
31. For the protection of the Turntable with Legs, we recommend that it is placed on a protected surface during assembly to prevent any damage.
32. During assembly please take care not to overtighten any fittings, as this may damage the product.
33. The usage of power tools is not recommended for assembling this product.
34. If the Turntable with Legs has been exposed to strong fluctuations in temperature (for example, after transport), do not switch it on immediately. Moisture and condensation could damage the equipment. Do not switch on the equipment until it has reached room temperature.
35. Do not allow children to climb on this product - it may topple over and badly injure a child.
36. Do not place toys or other child appealing items on top of this product.
37. The Turntable with Legs should always be repacked in its original packaging whenever transporting to prevent any possible damage to the device.
38. Where the mains plug or an appliance coupler is used as the disconnect device, the disconnect device shall remain readily operable.



Read this instruction manual carefully before using the Retro Turntable with Legs and keep it in a safe place for future reference.

Product Overview

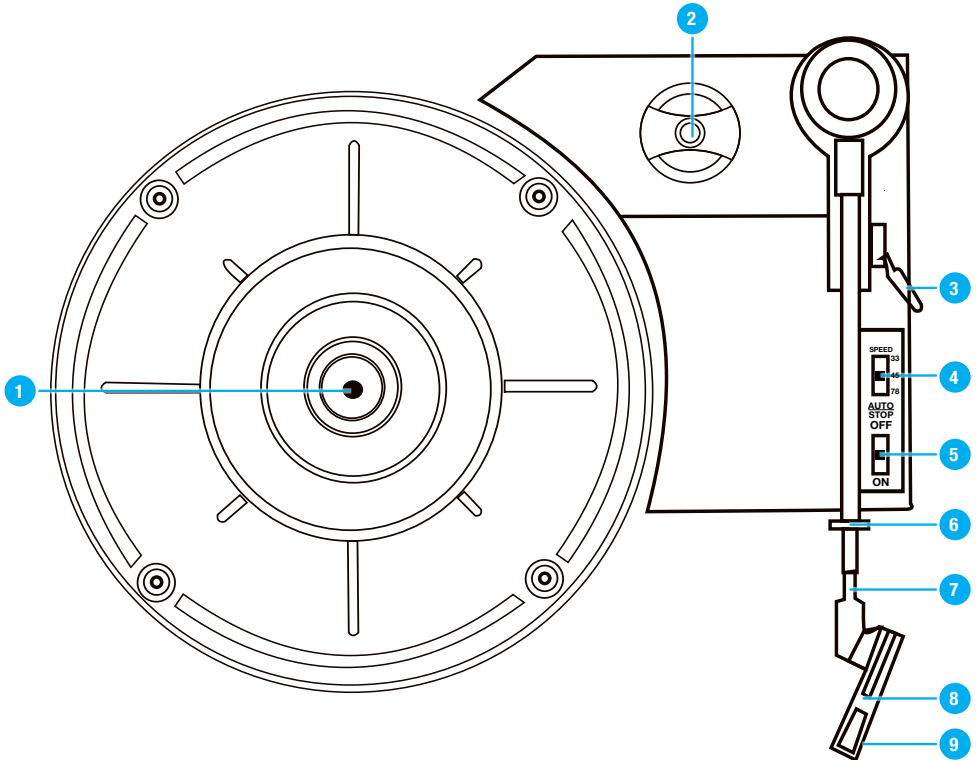
Front and Side View



1. Lock Latches
2. Detachable Legs
3. Dust Cover
4. Turntable
5. Handle (always remove the legs before using the handle to carry the turntable)
6. Control Panel

Product Overview (cont.)

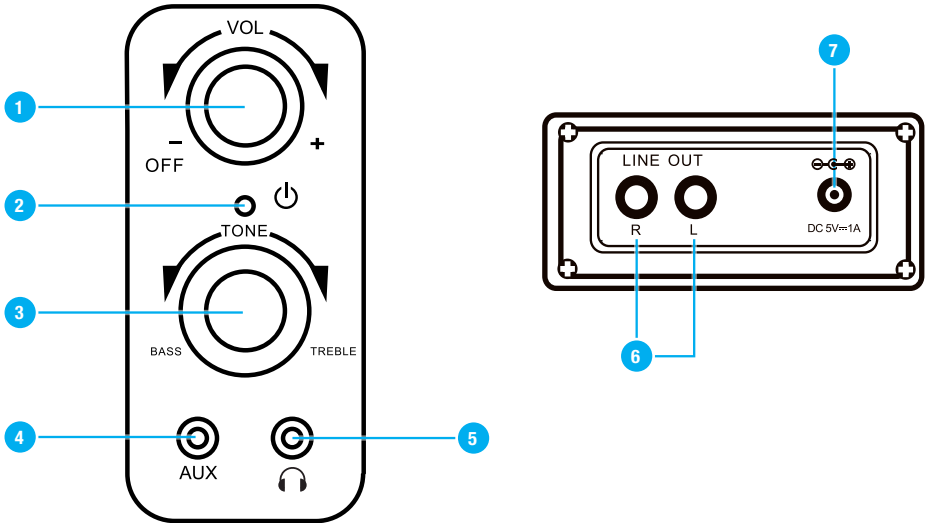
Turndtable



1. Spindle
2. 45 RPM Adaptor
3. Cue Lever
4. Speed Selection Switch (33 $\frac{1}{3}$, 45, 78 RPM)
5. Auto Stop Switch
6. Tone Arm Lock
7. Tone Arm
8. Stylus
9. Stylus Cover

Product Overview (cont.)

Front and Rear Control Panels



1. Power/Volume Dial
2. LED Power Indicator Light
3. Tone Dial
4. Auxiliary Input
5. Headphone Output
6. RCA Audio Output
7. DC Power Input

Included (not pictured):

1x Power Adaptor, 1x Instruction Manual and 1x Warranty Certificate.

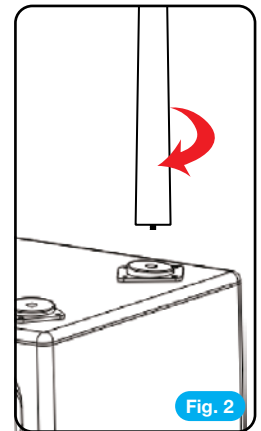
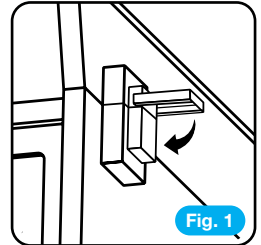
Getting Started

Attaching the Legs

The included detachable legs must be attached to the unit before first use. To attach the legs, follow the steps below.

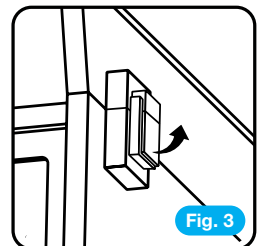
Remove the unit from its packaging.

1. Ensure the lock latch on both sides are locking the dust cover into place (see Fig. 1).
2. Carefully place the unit upside down on a level surface so that the unit is sturdy and there is no risk of it tipping or falling over.
3. Remove the legs from the packaging.
4. Screw each individual leg clockwise into the metal plates on the bottom of the unit (see Fig. 2).
5. Carefully flip the unit back upright, and place on a level surface so that the unit is sturdy and there is no risk of it tipping or falling over.



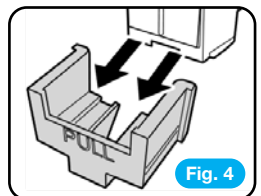
Removing the Turntable Protective Packaging

1. Unlock the lock latch on both sides of the dust cover (see Fig. 3), and lift the dust cover to reveal the turntable.
2. Peel off the protective tape, and remove the polystyrene spindle protector.
3. Remove the cable tie from the tone arm.
4. Remove the stylus cover from the stylus cartridge (see Fig. 4).



Power Input

Once all packaging has been removed and the legs have been attached, insert the power adaptor into a power socket and connect the other end to the DC power input (rear panel of the unit) and switch the power socket on.



Instructions

Handling Vinyl Records

NOTE: Only handle vinyl records with clean hands and hold them by the edge or the label. Do not touch the record grooves.

1. Keep your vinyl records in protective sleeves when not in use to avoid dust and scratches.
2. Store vinyl records upright. Records stored horizontally may bend and warp.
3. Avoid placing vinyl records in direct sunlight, close to any heat source (radiator, stoves etc.) or in a location that may be subject to vibration, excessive dust, heat, cold or moisture.
4. To clean a vinyl record, gently wipe the surface in a circular motion using a soft anti-static cloth.

Playing Vinyl Records

To play a vinyl record, follow the steps below.

1. Turn the **Power/Volume Dial** (No. 1 on the Front and Rear Control Panels parts list) clockwise until you hear a 'click' sound. The LED Power Indicator Light will flash red and blue successively for a brief period of time, and then will switch to flashing blue (if not paired with a Bluetooth® device) or solid blue (if paired with a Bluetooth® device). This indicates that the Turntable with Legs is now turned on.

NOTE: To pair your Turntable with Legs with a Bluetooth® device please follow the instructions on page 16.

IMPORTANT: Before playing a vinyl record, turn down the volume of the Turntable with Legs to avoid possible loud crackling noises. The crackling noises made by the stylus coming into contact with the vinyl record could damage the unit. Wait until the stylus is completely placed on the vinyl record, and then turn up the volume.

2. Set the **Auto Stop Switch** (No. 5 on the Turntable parts list) to the ON position. The unit will now be set to automatically stop after the completion of play of the vinyl record. If the **Auto Stop Switch** is set to the OFF position, the unit will not stop automatically.
3. Choose the desired playing speed using the **Speed Selection Switch** (No. 4 on the Turntable parts list) between 33⅓, 45, and 78 RPM.

NOTE: When playing a 45 RPM record, use the included 45 RPM adaptor on the record spindle.

4. Carefully place the vinyl record on the turntable.
5. Unlock tone arm lock by moving it up and away from the tone arm itself.
6. Raise the tone arm using the arm raise lever or carefully with your hand.
7. Place the tone arm vertically over the first track of the record or over the outer edge of the vinyl record. The turntable will start spinning and the LED Power Indicator Light will now illuminate red.

Instructions (cont.)

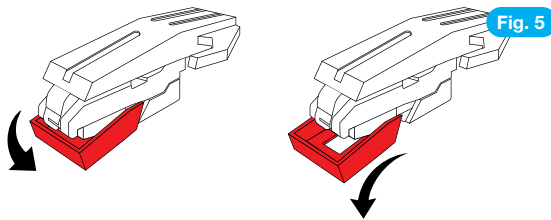
IMPORTANT: If an auxiliary cable is connected to the unit, the turntable will not spin.

8. Lower the stylus onto the vinyl record.
9. Turn the **Power/Volume Dial** clockwise to turn the volume up, or turn the **Power/Volume Dial** anticlockwise to turn the volume down.
10. To stop playing, lift the tone arm and place it back into the armrest. Secure the tone arm once more by engaging the tone arm lock. Cover the stylus with the stylus cover if needed.

Replacing the Stylus

It is recommended that the stylus is replaced as soon as you notice a change in the sound quality. Prolonged use of a worn out stylus may damage the record. Wear and tear on the stylus will be accelerated when playing 78 RPM records.

1. Remove the stylus by pulling it straight down and out, in the opposite direction of the tone arm (see Fig. 5).

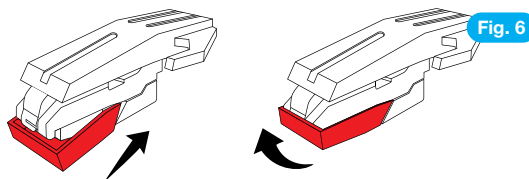


NOTE: If the stylus does not slide out easily do not use excessive force. Instead, take a flat head (slotted head) screwdriver (not supplied) and wedge its tip right above the stylus tip and gently push down in the opposite direction of the tone arm till the stylus has dislodged.

3. Find a compatible replacement stylus.

IMPORTANT: If purchasing the replacement stylus in a store, it will be helpful to bring the old stylus with you for your reference. Most good Electronic and Music stores will have replacement styluses.

4. With the point facing down, align the new stylus and gently press it back into place (see Fig. 6).



Instructions (cont.)

WARNING:

1. Do not bend the stylus.
2. To avoid injury, do not touch the needle.
3. Keep out of reach of children.
4. Handle with care as the stylus is delicate. Use of a bent or broken stylus may damage the record and cause malfunction.
5. Do not expose the stylus to extreme heat.
6. Contact a qualified repair person if you are having difficulties changing the stylus.

Using the Headphone Input

The Turntable with Legs features a 3.5mm headphone input which is located on the front control panel. When headphones or external speakers with a 3.5mm pin are attached to the Turntable with Legs via the headphone input, all sound will be diverted to the headphones or external speakers, and no sound will be played via the unit's inbuilt speakers. Ensure that the 3.5mm plug is removed from the Turntable with Legs when required, to ensure that sound is played via the unit's inbuilt speakers once again.

Using the Auxiliary Input

The Turntable with Legs features a 3.5mm auxiliary input, located on the front control panel, which allows audio from various media devices with 3.5mm output jack such as CD players, smart phones, tablets, computers, televisions, or DVD players using an Audio Y cable (not included), to be played through the unit's inbuilt speakers. To use the auxiliary input, follow the steps below.

1. Turn the **Power/Volume Dial** (No. 1 on the Front and Rear Control Panels parts list) clockwise until you hear a 'click' sound. The LED Power Indicator Light will flash red and blue successively for a brief period of time, and then will switch to flashing blue (if not paired with a Bluetooth® device) or solid blue (if paired with a Bluetooth® device). This indicates that the Turntable with Legs is now turned on.

NOTE: To pair your Turntable with Legs with a Bluetooth® device please follow the instructions on page 16.

IMPORTANT: Before playing music/media from the desired device, turn down the volume of the Turntable with Legs to avoid a possible loud output of noise from the speakers. Wait until the music/media is playing, and then turn up the volume.

2. Connect one end of the auxiliary cable (not included) into the auxiliary port on the Turntable with Legs.
3. Connect the other end of the auxiliary cable (not included) into the desired media device. The LED Power Indicator Light will change to solid red.

Instructions (cont.)

4. Use the media device (not the Turntable with Legs) to control playback.

NOTE: The volume can be controlled on both the connected media device and the Turntable with Legs itself.

IMPORTANT: If an auxiliary cable is connected to the Turntable with Legs, the turntable will not spin.

Using the RCA Audio Output

The Turntable with Legs features a RCA audio output located on the rear of the unit, which allows to connect to external speakers. To use the RCA audio input, follow the steps below.

1. Turn the **Power/Volume Dial** (No. 1 on the Front and Rear Control Panels parts list) clockwise until you hear a 'click' sound. The LED Power Indicator Light will flash red and blue successively for a brief period of time, and then will switch to flashing blue (if not paired with a Bluetooth® device) or solid blue (if paired with a Bluetooth® device). This indicates that the Turntable with Legs is now turned on.

NOTE: To pair your Turntable with Legs with a Bluetooth® device please follow the instructions on page 16.

IMPORTANT: Before playing music/media from the desired device, turn down the volume of the Turntable with Legs to avoid a possible loud output of noise from the speakers. Wait until the music/media is playing, and then turn up the volume.

2. Plug the AV connections of the RCA cable (not included) into the RCA audio output.

NOTE: The red jack needs to connect to the red socket (right channel), and the white jack needs to connect to the white socket (left channel).

3. Insert the other end/s of the RCA cable (not included) into the audio input of the external speakers.
4. Use the Turntable with Legs to control playback.

NOTE: The volume can be controlled on both the connected speakers if applicable and the Turntable with Legs itself.

Instructions (cont.)

Controlling the Bass/Treble

The level of bass and treble emitted by the speakers can be controlled by using the **Tone Dial**, located on the front control panel.

- To increase the bass, rotate the **Tone Dial** anticlockwise.
- To increase the treble, rotate the **Tone Dial** clockwise.

Bluetooth® Streaming

The turntable features a Bluetooth® receiver which enables it to be wirelessly connected to compatible Bluetooth® enabled devices such as smart phones and Bluetooth® enabled media players. To pair the turntable with a compatible Bluetooth® enabled device, follow the steps below.

1. Turn the Power/Volume Dial (No. 1 on the Front and Rear Control Panels parts list) clockwise until you hear a 'click' sound. The LED Power Indicator Light will flash red and blue successively for a brief period of time, and then will switch to flashing blue. This indicates that the Turntable with Legs is now turned on and ready to be paired to your Bluetooth® device. With the Tone Arm in the arm holder, you may then activate your Bluetooth® function with your Bluetooth® device.

NOTE: If the last connected device is within the Bluetooth® reception range of the turntable (the LED Power Indicator Light will illuminate solid blue), you will not be able to pair a new device to the turntable. You will need to turn off the Bluetooth® connection on the last connected device in order to connect a new device.

NOTE: If an AUX cable has been inserted into the turntable, you will not be able to use the Bluetooth® function. In order to use the Bluetooth® function, simply pull the AUX cable out of the turntable, and begin the pairing process again.

NOTE: If you place the tone arm vertically over the vinyl record or turntable, the turntable will start spinning (The LED Power Indicator Light will change to solid red), and you will not be able to pair to or stream from your Bluetooth® enabled device.

2. On your Bluetooth® enabled device, activate (or turn ON) your Bluetooth® function and search for nearby devices. When the device discovers "EA2266" select and connect to "EA2266". This process should take a few seconds to connect - no pin or password is required.
3. When the devices are successfully connected - it will show connected on the Bluetooth® enabled device. The LED Power Indicator will now illuminate solid blue.
4. Now you can open the media player on your Bluetooth® enabled device and stream the desired tracks through the turntable. You can use your device to control the functions (volume, track selection etc.) of the music playing through the turntable.

Frequently Asked Questions

Q: Can I use the turntable without attaching the legs?

A: No. The metal plates on the bottom of the unit are not parallel with the ground, meaning without the legs, the unit will be extremely unstable. Also, with the exposure of the metal plates, you may risk damaging/scratching the surface that you place the unit on.

Q: Can I carry the Turntable with Legs by the handle?

A: Yes. But only if the legs have been detached from the main unit first. Never carry the Turntable with the legs still attached.

Q: Why is the Turntable with Legs not powering on?

A: Ensure that each end of the power adaptor has been correctly and securely connected, and the power socket has been switched on.

Q: Why is there no sound coming from the speakers?

A: Ensure there is no cable connected to the headphone input or the RCA audio output.

Q: Why is the turntable not spinning?

A: If an auxiliary cable is connected to the unit, the turntable will not spin. Ensure that there is no auxiliary cable connected.

Q: Why is the sound distorted when playing a vinyl record?

A: The stylus may be damaged. Remove and replace it with a new stylus (see page 13 for further details).



Signify[®]

Retro Turntable with Legs

Repair and Refurbished Goods or Parts Notice

REGISTER YOUR PURCHASE AT www.aldi.com.au/en/about-aldi/product-registration/
TO KEEP UP-TO-DATE WITH IMPORTANT PRODUCT INFORMATION

Unfortunately, from time to time, faulty products are manufactured which need to be returned to the Supplier for repair.

Please be aware that if your product is capable of retaining user-generated data (such as files stored on a computer hard drive, telephone numbers stored on a mobile telephone, songs stored on a portable media player, games saved on a games console or files stored on a USB memory stick) during the process of repair, some or all of your stored data may be lost.

We recommend you save this data elsewhere prior to sending the product for repair.

You should also be aware that rather than repairing goods, we may replace them with refurbished goods of the same type or use refurbished parts in the repair process.

Please be assured though, refurbished parts or replacements are only used where they meet ALDI's stringent quality specifications.

If at any time you feel your repair is being handled unsatisfactorily, you may escalate your complaint. Please telephone us on 1300 777 137 or write to us at:

UNCLE BILL'S AUSTRALIA PTY LTD
48B Egerton Street, Silverwater NSW 1811 Australia
1300 777 137 Opening Hours - 9:00am - 4:30pm (Mon-Fri), 9:00am - 3:00pm (Sat)
service@unclebill's.com.au www.signifyelectronics.com.au

AFTER SALES SUPPORT

1300 777 137

service@unclebill's.com.au

MODEL: EA2266 PRODUCT CODE: 714166 12/2023



Other Useful Information

Cleaning and Maintenance

Before cleaning the Turntable with Legs, ensure the unit is switched off and disconnected from the power source.

The Turntable with Legs is likely only to require regular “dusting” to keep it clean. Use a standard duster, or dry soft microfibre cloth to remove the dust from the unit.

If the Turntable with Legs becomes soiled with anything other than dust on its exterior, clean the exterior of the unit by wiping over the surface with a slightly damp cloth and then polish with a soft dry cloth. Ensure that no moisture or liquid enters the Turntable with Legs, particularly around the control panel and dials.

Be careful when wiping over the Turntable with Legs, that you do not apply too much pressure, as there is a risk that you may break parts.

Do not use detergents or abrasive cleaners, and do not allow moisture, water or other liquid to enter the Turntable with Legs.

Never allow any kind of liquid to remain on the turntable legs. Absorption can cause the wood to warp or finishes to delaminate.

Storage

When the Turntable with Legs is not in use, disconnect it from the power source and store in a cool, dry and well ventilated location out of direct sunlight. Ensure that it is not subject to humidity.

Trademark

The Bluetooth® word mark and logos are registered trademarks owned by Bluetooth SIG, Inc. and any use of such marks by the manufacturer is under license. Other trademarks and trade names are those of their respective owners.

Other Useful Information (cont.)

Responsible Disposal

At the end of its working life, do not throw this appliance out with your household rubbish. Electrical and electronic products contain substances that can have a detrimental effect on the environment and human health if disposed of inappropriately. Observe any local regulations regarding the disposal of electrical consumer goods and dispose of it appropriately for recycling. Contact your local authorities for advice on recycling facilities in your area.



Please keep the original packaging carton and materials in a safe place. It will help to prevent any damage if the product needs to be transported in the future. In the event it is to be disposed of, please recycle all packaging material where possible.

If you require an alternative format of this instruction manual such as website, DVD or by email please contact service@unclebills.com.au to obtain a copy.

The Turntable with Legs has been fully tested and meets all requirements as set out by the below testing standards:

AS/NZS 62368-1

Specification Table

MODEL:	EA2266
AC ADAPTOR MODEL:	GQ07-050100-AA
UNIT INPUT VOLTAGE:	5.0V  1.0A
UNIT POWER CONSUMPTION:	5W
ADAPTOR INPUT VOLTAGE:	100-240V~ 50/60Hz 0.3A MAX CLASS II
ADAPTOR OUTPUT VOLTAGE:	5.0V  1.0A
DIMENSIONS:	(H) 600 x (W) 400 x (D) 355mm (With Legs)
NET WEIGHT:	6.2kg
SPEAKERS:	2 x 5W Stereo Speakers
RPM:	Supports Playback Speeds 33 ¹ / ₂ / 45 / 78
RECORD SIZE SUPPORTED:	7" = 17.7cm 10" = 25.5cm SP 12" = 30cm LP
VERSION NO:	3
ISSUE DATE:	23 rd August, 2023

THIS DOCUMENT CONTAINS INFORMATION THAT IS SUBJECT TO CHANGE WITHOUT NOTICE.

Notes

Notes

Notes



ALDI guarantees that our exclusive brand products are developed to our stringent quality specifications. If you are not entirely satisfied with this product, please return it to your nearest ALDI store within 60 days from the date of purchase for a full refund or replacement, or take advantage of our after sales support by calling the supplier's Customer Service Hotline.



Made in China

ALDI STORES, 1 SARGENTS ROAD

MINCHINBURY NSW 2770

www.aldi.com.au

AFTER SALES SUPPORT



1300 777 137



service@unclebills.com.au

MODEL: EA2266

PRODUCT CODE: 714166

12/2023

1

YEAR WARRANTY