

Signify[®]

RETRO DAB+ RADIO

WITH CD PLAYER



Model Number: EA2173



INSTRUCTION MANUAL

Welcome

Congratulations on choosing to buy a Signify product.

All products brought to you by Signify are manufactured to the highest standards of performance and safety, and, as part of our philosophy of customer service and satisfaction, are backed by our comprehensive 1 Year Warranty and customer technical support line.

This comprehensive instruction manual will provide you with a detailed guide on how to operate your product and will also assist you in troubleshooting any problems that you may encounter.

If you have any queries regarding the use of this product, please feel free to phone our technical support line for some friendly advice. If you are experiencing difficulties or believe that the product may have a technical fault, we will assist you in rectifying the issue. We can generally solve most problems simply and quickly over the phone, so please always phone us first!

We are sure that you will enjoy using this product and you can expect to gain years of service from this product when it is used and maintained in the correct manner.

Contents

Welcome	02
Warranty Details	04
General Information and Safety Instructions	05
Product Overview	08
Front of DAB+ Radio Diagram	08
Rear of DAB+ Radio Diagram	09
Remote Control	10
Remote Control Functions	11
Audio Modes	12
Getting Started	13
Instructions	14
DAB+ Mode	16
FM Mode	19
Bluetooth® Mode	21
CD Mode	23
USB Mode	26
AUX Mode	28
Frequently Asked Questions	29
Repair and Refurbished Goods or Parts Notice	31
Other Useful Information	32
Cleaning and Maintenance	32
Storage	32
Trademarks	32
Responsible Disposal	33
Specification Table	33



Signify[®]

Retro DAB+ Radio with CD Player

Warranty Details

REGISTER YOUR PURCHASE AT www.aldi.com.au/en/about-aldi/product-registration/
TO KEEP UP-TO-DATE WITH IMPORTANT PRODUCT INFORMATION

The product is guaranteed to be free from defects in workmanship and parts for a period of 12 months from the date of purchase. Defects that occur within this warranty period, under normal use and care, will be repaired, replaced or refunded at our discretion. The benefits conferred by this warranty are in addition to all rights and remedies in respect of the product that the consumer has under the Competition and Consumer Act 2010 and similar state and territory laws.

Our goods come with guarantees that cannot be excluded under the Australian Consumer Law. You are entitled to a replacement or refund for a major failure and for compensation for any other reasonably foreseeable loss or damage. You are also entitled to have the goods repaired or replaced if the goods fail to be of acceptable quality and the failure does not amount to a major failure.

General Information and Safety Instructions

RETAIN FOR FUTURE USE

Read this manual thoroughly before first use, even if you are familiar with this type of product. The safety precautions enclosed herein reduce the risk of fire; electric shock and injury when correctly adhere to. Please keep this instruction manual in a safe place along with your purchase receipt, warranty card and carton for future reference. If applicable, pass these instructions and packaging on to the next owner of the product. Always follow basic safety precautions and accident prevention measures when using an electrical product.

1. Read all instructions before using the Radio.
2. Never allow children to play with electrical equipment.
3. Do not use the Radio for anything other than its intended use.
4. Before turning on, ensure the electrical voltage and frequency of the circuit corresponds to those indicated on the rating label of the Radio.
5. Do not allow the Radio, remote control, cord or plug to come into contact with water or any other liquid.
6. The Radio is not intended to be operated by means of an external timer or any type of separate remote control system.
7. The use of attachments not recommended or sold by the manufacturer is dangerous and may cause fire, electric shock or injury.
8. This Radio is intended to be used indoors, for household use only. Do not use the Radio outdoors.
9. Keep the Radio, its remote control, cord and plug out of direct sunlight.
10. Do not use an extension cord with this Radio unless completely necessary. If an extension cord is used, ensure that it has a rating equal to or exceeding the rating of the Radio.
11. Do not pull or carry by the power cord, use the cord as a handle, close a door on the cord, or pull the cord around sharp edges or corners. Keep the cord away from heated surfaces.
12. Do not bend or damage the power cord.
13. Always unplug the Radio when not in use. To disconnect from the power supply, first ensure the unit is turned off by pressing the **STANDBY** button, switch off at the outlet, then grip the plug and pull from the power socket. Never pull by the cord. The power plug must be removed from the power socket before cleaning, servicing, or maintenance.
14. Unplug the Radio in cases of electrical storms to protect against the possibility of power surges damaging the Radio.
15. Never force the plug into an outlet.
16. Ensure that power sockets are not overloaded by operating several electrical products that exceed the power supply of the socket. Review the rating label of each electrical product being operated to ensure that they do not exceed the capacity of the power socket. Always turn off and unplug any electrical product that is not being used.

General Information and Safety Instructions (cont.)

17. Never operate the Radio with wet hands, submerge under water or spill liquids into the Radio.
18. Always turn the Radio off and disconnect from the power source before cleaning. Never use liquid cleaners, use a soft dry (or slightly damp) cloth to wipe over.
19. Do not place the Radio near a hot burner (gas or electric), heat sources or open flames.
20. Improper installation may result in the risk of fire, electric shock and/or injury to persons.
21. If the cord or plug are damaged, do not use the Radio. Please contact the After Sales Support Line for assistance.
22. Always ensure that the cord is placed in a safe location to ensure that it cannot be stepped on, or cannot pose as a tripping hazard. Do not place any items on or against the power cord.
23. The manufacturer and retailer are not responsible for any eventual damages caused by improper or faulty use.
24. The Radio and its remote control have no user serviceable parts contained within. Do not attempt to repair, disassemble or modify the Radio or its remote control.
25. This Radio is not intended for use by persons (including children) with reduced physical, sensory or mental capabilities or lack of experience and knowledge, unless they have been given supervision or instruction concerning the use of the Radio by a person responsible for their safety. Children should be supervised to ensure they do not play with the Radio.
26. Ensure that all packaging and plastic bags that were included in the Radio giftbox are kept out of reach from children to avoid potential danger of suffocation.
27. Do not use the Radio on an unstable surface.
28. Be extremely careful when unpacking or relocating the Radio. Ensure that the Radio is not dropped, bumped, or has excessive force applied. Impacts such as these can damage the product and its internal components.
29. Do not place this product against soft surfaces, drapery or fabric that may block the ventilation holes. The product should not be placed in an "in-built" installation unless all ventilation holes are provided with adequate ventilation.
30. If the Radio has been exposed to strong fluctuations in temperature (for example, after transport), do not switch it on immediately. Moisture and condensation could damage the equipment. Do not switch on the equipment until it has reached room temperature.
31. Bluetooth® devices and WiFi (IEEE 802.11b/g) use the same frequency band (2.4 GHz). When using your Bluetooth® device near a device with WiFi capability, electromagnetic interference may occur. This could result in lower data transfer rates, noise, or inability to connect.
32. The radio waves broadcasted by the Radio may interfere with the operation of some medical devices. Since this interference may result in malfunction, always turn off the power of the Radio, mobile phone or Bluetooth® enabled device in the following locations:
 - Hospitals, trains or aeroplanes.
 - Near automatic doors or fire alarms.

General Information and Safety Instructions (cont.)

33. The Radio should always be repacked in its original packaging whenever transporting to prevent any possible damage to the device.
34. The remote control is powered by 2 x AAA batteries (not included). Ensure you observe the correct polarity (positive and negative) markings before inserting or replacing the batteries.

CAUTION: Danger of explosion if the batteries are incorrectly replaced. Replace only with the same or equivalent type.

IMPORTANT: Dispose of all used batteries at designated disposal points. Never dispose of batteries in a fire as this may cause an explosion or leakage of dangerous chemicals and fumes.

WARNING: Do not leave batteries in the remote control unused for extended periods of time. Always ensure when changing the batteries, you do not mix old batteries with new batteries.

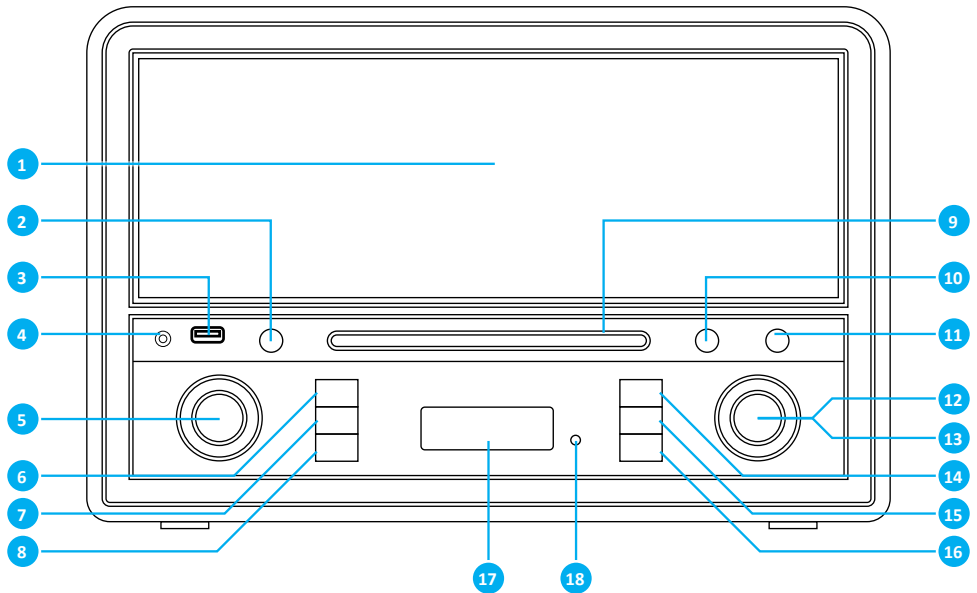
WARNING: Do not expose the batteries to excessive heat, direct sunlight, open flames, or any other heat sources.



Read this instruction manual carefully before using the Retro DAB+ Radio and keep it in a safe place for future reference.

Product Overview

Front of DAB+ Radio Diagram

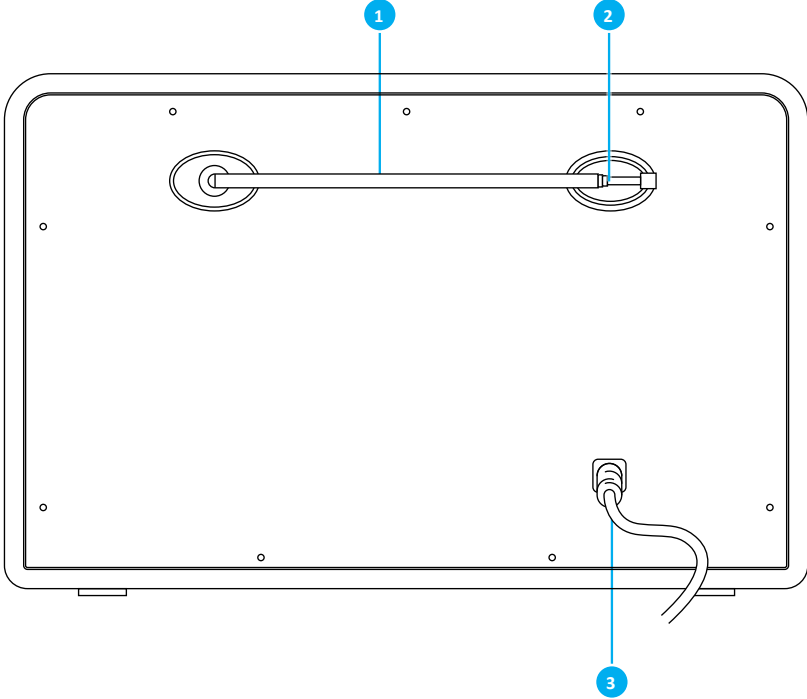


- | | |
|---|---|
| 1. Speakers | 11. PRESET/PROG. (Program) /
10+ (Skip 10 Tracks) Button |
| 2. STANDBY (Power On/Off) Button | 12. TUNING (Radio Station) Control Dial |
| 3. USB Input | 13. ENTER Button |
| 4. AUX-IN Jack | 14. SCAN/PLAY/PAUSE Button |
| 5. +/- VOLUME Control Dial | 15. STOP/INFO. (Information) Button |
| 6. FUNC. (Function) Button | 16. SKIP+ (Next Track) Button |
| 7. P-MODE (Repeat/Shuffle/Reset) Button | 17. LCD Display |
| 8. SKIP- (Previous Track) Button | 18. Remote Control Sensor |
| 9. CD Tray | |
| 10. EJECT (CD) Button | |

Included (not pictured): 1 x Instruction Manual and 1 x Warranty Certificate.

Product Overview (cont.)

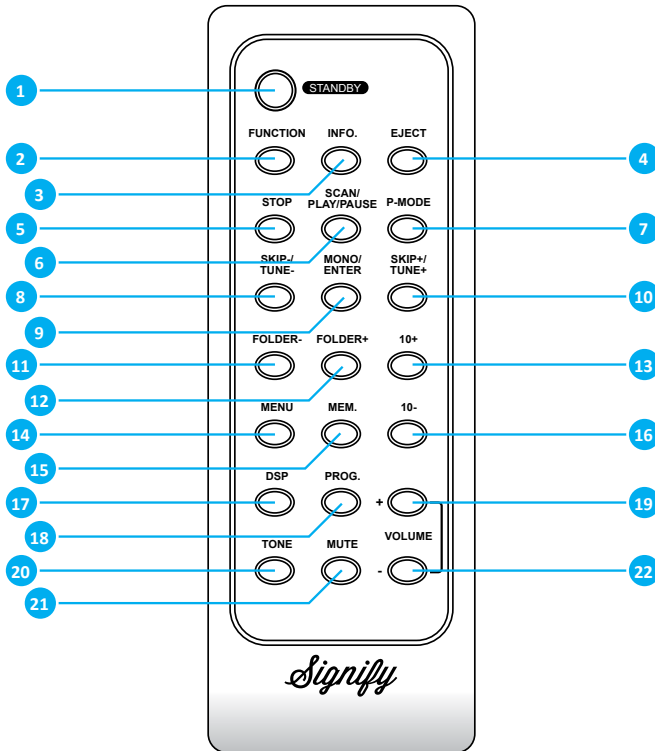
Rear of DAB+ Radio Diagram



- 1. Telescopic Antenna
- 2. Antenna Clip
- 3. AC Power Cord

Product Overview (cont.)

Remote Control



- | | |
|--------------------|--------------|
| 1. STANDBY | 12. FOLDER+ |
| 2. FUNCTION | 13. 10+ |
| 3. INFO. | 14. MENU |
| 4. EJECT | 15. MEM. |
| 5. STOP | 16. 10- |
| 6. SCAN/PLAY/PAUSE | 17. DSP |
| 7. P-MODE | 18. PROG. |
| 8. SKIP-/TUNE- | 19. + VOLUME |
| 9. MONO/ENTER | 20. TONE |
| 10. SKIP+/TUNE+ | 21. MUTE |
| 11. FOLDER- | 22. - VOLUME |

Product Overview (cont.)

Remote Control Functions

Button	Description	Function
STANDBY	Standby Power	Turn the standby power on and off.
FUNCTION	Function/Audio Mode	Cycle between CD>USB>DAB+>FM>BT>AUX audio modes.
INFO.	Information	Display the information of the DAB+ or FM radio station currently playing.
EJECT	Open CD Tray / Eject CD	Opens or ejects the CD tray (insert the CD or remove the CD).
STOP	Stop	Stops the CD or MP3 track currently playing.
SCAN/PLAY/ PAUSE	Scan Radio / Play / Pause	Scan the available stations in DAB+ or FM mode.
		Play a CD or MP3 (in CD or USB mode).
		Pause the CD or MP3 track currently playing.
P-MODE	(Repeat/Shuffle/Reset)	Select from: repeat one track (REP1), repeat all tracks (REPA) or play tracks in random order (RAND).
SKIP-/TUNE-	Skip Previous Track /Decrease Radio Tuning	Skip to the previous CD or MP3 track.
		Manual tune (decrease) the radio frequency while in DAB+ or FM mode.
MONO/ENTER	Mono & Stereo Mode / Enter	Switch between Mono and Auto (Stereo) modes (available only in FM mode).
		Confirm a selection.
SKIP+/TUNE+	Skip Next Track / Increase Radio Tuning	Skip to the next CD or MP3 track.
		Manually tune (increase) the radio frequency while in DAB+ or FM mode.
FOLDER-	Previous Folder	Skip to the previous MP3 folder.
FOLDER+	Next Folder	Skip to the next MP3 folder.
10+	Next 10 Tracks	Skip to the next 10 tracks or the end of a CD, MP3 or USB flash drive if it has below 10 tracks in total.
MENU	Menu Settings	Access the menu.
MEM.	Memory	Save and access the preset DAB+ and FM stations.
10-	Previous 10 Tracks	Skip to the previous 10 tracks or the beginning of a CD, MP3 or USB flash drive if it has below 10 tracks in total.
DSP	Equaliser Settings	Cycle between Flat>Classic>Rock>Pop>Jazz sound options.
PROG.	Program	Program tracks while in CD mode.
+ VOLUME	Volume Adjustment	Increase the volume.
STONE	Bass & Treble Tone Adjustment	Select Bass or Treble setting in all audio modes.
MUTE	Mute Audio	Silence the audio output.
- VOLUME	Volume Adjustment	Decrease the volume.

Product Overview (cont.)

Audio Modes

The Signify Retro DAB+ Radio has many great features and enables the user to play music in a variety of ways.

DAB+ Mode

The built-in DAB+ tuner, auto-scan function, and large 20 station programmable memory, allows you to listen to your favourite DAB+ radio stations. Please see page 16 for instructions on how to setup and use the Radio in DAB+ mode.

FM Mode

The built-in FM tuner, auto-scan function, and large 20 station programmable memory, allows you to listen to your favourite FM radio stations. Please see page 19 for instructions on how to setup and use the Radio in FM mode.

BT (Bluetooth®) Mode

The Radio features a Bluetooth® receiver which enables it to be connected to compatible Bluetooth® enabled devices such as smartphones and MP3 players. It also enables the user to control tracks and volume directly from their Bluetooth® enabled device. Please see page 21 for instructions on how to setup and use the Radio in Bluetooth® mode.

CD Mode

The Radio features a single CD player with MP3 audio file compatibility. Please see page 23 for the full instructions on how to use the CD mode.

USB Mode

The Radio includes a USB input which allows MP3 files to be loaded onto a USB flash drive and played back through the Radio. Please see page 26 for instructions on how to use the USB mode.

AUX Mode

The Radio features one AUX input which allows audio playback from various media devices with a 3.5mm audio jack such as MP3 players, smartphones, tablets, computers and many more, by connecting the device to the Radio via an 3.5mm AUX cable (not included). Please see page 28 for instructions on how to setup and use the AUX mode.

Getting Started

Before First Use

Prior to using your Radio, please read all safety and operating instructions thoroughly.


Please ensure you follow the steps below before using this appliance. We recommend you keep the original packaging for storing your Radio when not in use.

1. Unpack the product but keep all packaging material until you have made sure your new Radio is undamaged and in good working order. Plastic wrapping can be a suffocation hazard for babies and children so ensure all packaging materials are out of their reach.
2. Remove the twist-tie which is securing the electrical power cord and uncoil the cord and straighten it to remove any kinks. Do not use the product if any part of the power cord or plug is damaged, please call the After Sales Support on 1300 777 137 line for further advice.
3. Place the Radio on a flat, level surface. Make sure it is not subject to vibrations or movement.
4. Peel the thin plastic film off the LCD display and front panel before use.

Instructions

Remote Control Battery Installation

Use only 1.5V 'AAA' alkaline batteries (not included) with this device.

1. Locate the  open arrow on the battery cover and slide the cover off, in the direction of the arrow. Once the cover is loose, lift it off.
2. Install 2 x 'AAA' size batteries so that the correct + (positive) and - (negative) polarities match the polarities in the battery compartment, then replace the battery cover. Make sure that the battery cover is securely placed in position.

WARNING: Use only Alkaline batteries in the remote control, other primary battery types such as Zinc Carbon should not be used.

CAUTION: Danger of explosion if the batteries are incorrectly replaced. Replace only with the same or equivalent type.

WARNING: Do not expose batteries to excessive heat, direct sunlight, open flames, or any other heat sources.

IMPORTANT: Dispose of all used batteries at designated disposal points. Never dispose of batteries in a fire as this may cause an explosion or leakage of dangerous chemicals and fumes.

Connecting the Radio to Power and Turning On.

1. Once all the packaging has been removed and the Radio is located in a suitable position on a stable and secure surface, plug the power cord into a power outlet and switch it on.
2. Press the **STANDBY** button on the main unit or the remote control, to turn the Radio on.

Tone Controls

Use the tone function to adjust the Bass and Treble tones if required.

NOTE: Press the **TONE** button on the remote control to switch between the Bass and Treble functions.

1. To adjust the Bass, press the **TONE** button once. 'BASS SETTING' and 'BASS 0' will show on the LCD display. Press and hold the - **VOLUME** button on the remote control to adjust the Bass tone down to 'BASS -7' or press and hold the + **VOLUME** button on the remote control to adjust the Bass tone up to 'BASS +7'.
2. To adjust the Treble, press the **TONE** button twice. 'TREBLE SETTING' and 'TREBLE 0' will show on the LCD display. Press and hold the - **VOLUME** button on the remote control to adjust the Treble tone down to 'TREBLE -7' or press and hold the + **VOLUME** button on the remote control to adjust the Treble tone up to 'TREBLE +7'.

Instructions (cont.)

NOTE: The tone function is only accessible via the remote control. There is no **TONE** button located on the main unit. Also, the tone can only be adjusted using the **VOLUME +/-** buttons on the remote control. The Bass and Treble tones cannot be adjusted using the **VOLUME** control dial on the main unit.

Adjusting the Volume

1. To increase the volume, turn the **VOLUME** control dial clockwise on the main unit or press and hold the + **VOLUME** button on the remote control.
2. To decrease the volume, turn the **VOLUME** control dial anticlockwise on the main unit or press and hold the - **VOLUME** button on the remote control.

NOTE: Do not turn the **VOLUME** control dial in an extremely fast motion. It is best to turn it slowly for more accurate volume control selection.

NOTE: The volume of your smart device or MP3 player may need to be adjusted when using the Radio in BT (Bluetooth®) or AUX modes.

WARNING: Check the volume level before playing music to prevent children, those who are infirm, or pregnant women, from being shocked by the sudden and loud sound emitted from the Radio.

IMPORTANT: Using the Radio for an extended period at high volumes can cause the Radio to overheat and may cause damage to the internal components. Do not operate the Radio at a high volume for extended periods of time.

Switching Between Audio Modes

The Radio has several different functions for audio playback. To select between CD player, USB, DAB+ radio, FM radio, Bluetooth® and AUX modes, follow the steps below.

1. Press the **STANDBY** button on the main unit or the remote control to turn the Radio ON.
2. Press the **FUNC.** button on the main unit or the **FUNCTION** button on the remote control to cycle through the different audio modes in sequence: CD>USB>DAB+>FM>BT>AUX, until the desired audio mode is shown on the LCD display.
3. To change to a different audio mode, press the **FUNC./FUNCTION** button again to cycle through the audio modes until your desired mode is shown on the LCD display.

NOTE: In standby mode, when the **FUNC./FUNCTION** button is pressed, the Radio will return to the audio mode that was previously selected, e.g. if DAB+ mode was selected before returning to standby mode, then DAB+ mode will show on the LCD display. When the Radio is switched off and unplugged from the power outlet, the modes will reset and the next time the Radio is plugged in and switched on, and the **FUNC./FUNCTION** button is pressed, the default audio mode 'Switching to CD' and 'CD' will show on the LCD display.

Instructions (cont.)

DAB+ Mode

The Radio features a built-in DAB+ (Digital Audio Broadcasting) tuner, allowing you to listen to the digital radio stations within the VHF Band III available in your location. In this mode, the LCD display will show information about the digital radio station, music title, etc.

Preparing the Antenna

On the rear panel of the Radio, there is a telescopic antenna, which is held in place by the antenna clip.

1. Gently pull the antenna out and away from the antenna clip.

IMPORTANT: Do not apply an excessive amount of force when unclipping the antenna, as this may dislodge the antenna completely from the main unit.

2. For best DAB+ reception, lengthen the telescopic antenna to full extension.

Listening to DAB+ Radio

1. Press the **STANDBY** button on the main unit or the remote control to turn the Radio on.
2. Press the **FUNC.** button on the main unit or the **FUNCTION** button on the remote control to cycle through the audio modes until 'Switching to DAB+' is shown on the LCD Display.
3. Once DAB+ mode has been selected, 'DAB+' will show on the LCD display in the top right hand corner.
4. If DAB+ mode has been used before, the station last listened to will show on the left hand side of the LCD display and play automatically. If this is the first time that DAB+ mode is used, or the radio has been turned off at the power outlet, a quick scan of all available DAB+ channels within the VHF Band III will be carried out as soon as the unit is set to DAB+ mode. Refer to the below instructions for how to scan the available DAB+ radio stations.
5. To play a DAB+ station, use the **TUNING** control dial, or the or **SKIP+/-** buttons to scroll through the list of available DAB+ radio stations. Press the **ENTER** button to confirm your selection. The LCD display may show 'Tuning...' while the Radio is re-tuning.
6. To exit DAB+ mode, follow the steps below.
 - Press the **FUNC./FUNCTION** button to select a different audio mode; or
 - Press the **STANDBY** button to turn the Radio off.

NOTE: When playing a DAB+ radio station, the LCD display normally shows the name of the current station with other related information.

Full Scan

Perform an automatic scan and save for all available digital radio stations in your area.

1. In DAB+ mode, press the **SCAN** button on the main unit or the remote control 'Autotune Full scan' will show on the LCD display.
2. During the scan, the LCD display will show 'Searching...' together with a slide bar that indicates the progress of the scan and the number of stations that have been detected.

Instructions (cont.)

- Once the scan has completed, to explore and listen to the found stations, press the **SKIP-/+** button on the main unit or the remote control; or turn the **TUNING** control dial on the main unit. Then press the **ENTER** button on the main unit or the remote control to confirm your selection.

NOTE: You can use this function to refresh your channel list or to scan for newly available stations.

NOTE: If the station list is still empty after the scan, the LCD display will show 'NO DAB+ Stations'. If no stations are found it may be necessary to relocate your Radio to a position giving better reception. Check your reception coverage in your area by visiting: <http://www.digitalradioplus.com.au/can-i-get-digital-radio> and entering your postcode. This Radio is suitable for areas with good reception. If your address does not have good reception you may not be able to pick up all digital stations with this Radio.

Manual Tuning

Manual tuning allows you to tune your Radio to a specific DAB+ frequency within the VHF Band III. Any new stations found will be added to the station list. This function can also be used to assist the positioning of the aerial or Radio to optimise reception for a specific channel or frequency.

- In DAB+ mode, press and hold the **ENTER** button on the main unit or the remote control for 3 seconds and the LCD display will show 'Manual tune'.
- Press the **SKIP-/+** button on the main unit or the remote control; or turn the **TUNING** control dial on the main unit to cycle through the DAB+ channels, which are numbered from 5A to 13F.
- Once the desired station is found, press the **ENTER** button on the main unit or the remote control to select the station and exit the manual tune function.

NOTE: Manually tuning will not save any stations to the Radio's memory. See the instructions below for how to save radio stations in the memory.

Saving DAB+ Stations in the Memory

- In DAB+ mode, select the DAB+ station.
- Press and hold the **MEM.** button on the remote control for approximately 3 seconds. If no stations have been previously saved then the LCD display will show the '<Empty P#>', if a station has previously been saved then the LCD display will show '<STATION P#>' (where # is the preset station number) will flash.
- Press the **SKIP-/+** button on the main unit or the remote control; or turn the **TUNING** control dial on the main unit to select the desired preset station number you want to allocate this station to.
- Press the **ENTER** button on the main unit or the remote control to confirm saving the selected station under that preset, in the memory. The LCD display will show the station that has been saved and the position it has been saved in eg. '<DAB+ STATION P1>'
- Repeat steps 2-4 until all the desired stations (up to 20) have been saved.

To Recall the Saved DAB+ Stations

- In DAB+ mode, press the **MEM.** button on the remote control; the display will show the current 'DAB+ station' and 'P#>' (where # is the current preset station number).

Instructions (cont.)

2. Press the **SKIP-/+** button on the main unit or the remote control; or turn the **TUNING** control dial to select the preset station number you want to listen to. Then press the **ENTER** button on the main unit or the remote control to confirm your selection.

Prune (Deleting Stations)

In the DAB+ mode menu, the prune function removes all invalid stations indicated with a '?' in front of the station name. Invalid stations are stations that are no longer available because either you have moved to a new area, the station no longer exists/has stopped broadcasting, or the station has changed frequency.

1. In DAB+ mode, press the **MENU** button on the remote control, on the LCD display, the software version number, such as 'DAB3823 V1.0' will appear.
2. Press the **MENU** button once again on the remote control and 'PRUNE?' will show on the LCD display.
3. Press the **ENTER** button on the main unit or the remote control to confirm deleting the stations and 'Pruning...' will show on the LCD display.

DAB+ Station Information

To display the DAB+ radio station information, press the **INFO.** button on the main unit or the remote control, to cycle through the station information listed in the table below.

Station Information	Description
Program Type	This describes the "style" or "genre" of the program that is being broadcast.
Ensemble	This displays the name of the multiplex that contains the station you are listening to. A multiplex is a collection of radio stations that are bundled and transmitted on one frequency. There are national and local multiplexes. Local ones contain stations that are specific to that area.
Frequency	This displays the frequency of the current station.
Audio Bit Rate	This displays the digital audio bit rate (Kbps) being received.
Signal Strength	This shows a slide bar to indicate the signal strength, the stronger the signal, the longer the bar will be from left to right.
Date and Time	This displays the current date and time.
Scrolling Text	This is a scrolling message giving real time information, e.g., song titles, news headlines, etc.

System Reset

In the DAB+ mode, the system reset function allows you to restore the unit back to its default settings and/or view the current software version of the unit.

1. In DAB+ mode, press and hold the **P-MODE** button on the remote control until the LCD display shows 'Press ENTER Key to Reset'.

Instructions (cont.)

2. Press the **ENTER** button on the main unit or the remote control to start resetting the Radio. The LCD display will show 'OK', then press the **ENTER** button again to select 'OK' and the Radio will reset.
3. Once the Radio has completed the system reset, all the previously stored DAB+ and FM stations will be erased from the memory and 'No Signal' and 'DAB+' will show on the LCD display.

NOTE: There may be times when you need to reset your Radio back to the factory settings especially when you have changed location eg. moved house. If you experience reception problems, or the previously tuned channels are no longer available, you may want to reset your Radio.

NOTE: After the Radio has completed the system reset, all the previous stored DAB+ or FM stations will be erased from the memory.

FM Mode

The Radio features a built-in FM tuner with an auto-tuning function and a 20 station programmable memory.

Preparing the Antenna

On the rear panel of the Radio, there is a telescopic antenna, which is held in place by the antenna clip.

1. Gently pull the antenna out and away from the antenna clip.

IMPORTANT: Do not apply an excessive amount of force when unclipping the antenna, as this may dislodge the antenna completely from the main unit.

2. For the best FM reception, lengthen the telescopic antenna to full extension.

Listening to FM Radio

1. Press the **STANDBY** button on the main unit or the remote control to turn the Radio on.
2. Press the **FUNC.** button on the main unit or the **FUNCTION** button on the remote control, to cycle through the audio modes until 'Switching to FM' is shown on the LCD Display.
3. Tune the FM radio by using the auto-tuning function, or by manually tuning the frequency (see below for further details).
4. To exit FM mode, follow the steps below.
 - Press the **FUNC./FUNCTION** button to select a different audio mode; or
 - Press the **STANDBY** button to turn the Radio off.

FM Auto-tuning

In the FM mode, the scan function allows you to set the FM radio auto-tune search strength. The auto-tuning function simply finds stations with strong signals. Stations with a weak signal can only be tuned in manually.

1. In FM mode, press the **SCAN** button on the main unit or the remote control to perform an auto-tune from 87.5MHz upwards.

Instructions (cont.)

2. Press and hold the **SCAN** button on the main unit or the remote control for 3 seconds to start searching automatically for the available FM stations.
3. Once a station has been found the auto-tune will stop searching and the Radio will play the station that has been found. To continue searching for more stations, repeat steps 1 or 2 above.

NOTE: Depending on the area the Radio is located, you may need to either adjust the antenna position or the Radio's location to gain better reception.

NOTE: Stations with a weak signal can only be tuned in manually.

FM Manual-tuning

Turn the **TUNING** dial clockwise or anticlockwise, to search up or down the FM band by 0.05MHz increments.

NOTE: Depending on the area the Radio is located, you may need to either adjust the antenna position or the Radio's location to gain better reception.

Saving FM Stations in the Memory

1. In FM mode, select the FM station.
2. Press and hold the **MEM.** button on the remote control for approximately 3 seconds, the display will show the current 'FM station and P#>' (where # is the preset station number) will flash.
3. Press the **SKIP-/+** button on the main unit or the remote control; or turn the **TUNING** control dial to select the desired preset station number you want to allocate this station to.

NOTE: If the display shows 'EMPTY and P#>' then there is no station currently stored for that preset number.

4. Press **ENTER** button on the main unit or the remote control to confirm saving the selected station under that preset, in the memory.
5. Repeat steps 2-4 until all the desired stations (up to 20) have been saved.

To Recall the Saved FM Stations

1. In FM mode, press the **MEM.** button on the remote control, the display will show the current 'FM station and P#>' (where # is the current preset station number).
2. Press the **SKIP-/+** button on the main unit or the remote control; or turn the **TUNING** control dial to select the preset station number you want to listen to, then press the **ENTER** button on the main unit or the remote control to confirm your selection.

Switching between MONO and AUTO (STEREO) Modes

In FM mode, press the **MONO** button on the remote control button or enter on the main unit to select either the mono mode or auto (stereo) mode.

Instructions (cont.)

FM Station Information

To display the FM radio station information, press the **INFO.** button on the main unit or the remote control, to cycle through the station information listed in the table below.

Station Information	Description
Program Type	This describes the "style" or "genre" of the program that is being broadcast.
Signal Strength	This shows a slide bar to indicate the signal strength, the stronger the signal, the longer the bar will be from left to right.
Date and Time	This displays the date and time. The default time and date will show as '00:00 01-01-2012'. Once you have used DAB+ mode, the current date and time will update and show in FM mode. The current time and date will reset to the default time and date each time the Radio is switched off and unplugged from the power outlet.
Frequency	This displays the frequency of the current station.
Audio Type	This displays if the audio being received is in Mono or Auto (stereo) mode.
Radio Text	This displays the radio station text (if available).

Bluetooth® Mode

The Radio features a Bluetooth® receiver which enables it to be wirelessly connected to compatible Bluetooth® enabled devices such as smartphones and MP3 players. To pair the Radio with a compatible Bluetooth® enabled device, follow the steps below.

1. Press the **STANDBY** button on the main unit or the remote control to turn the Radio on.
2. Press the **FUNC.** button on the main unit or the **FUNCTION** button on the remote control, to cycle through the audio modes until 'Switching to BT' then 'Bluetooth® Pairing' is shown on the LCD Display. The Radio is now in pairing mode.
3. On the Bluetooth® enabled device, activate (or turn ON) the Bluetooth® function, and search for nearby devices. When the device discovers 'SIGDAB', select and connect to 'SIGDAB'. This process should take a few seconds to connect – no PIN or passcode will be required.
4. Once the Radio and the Bluetooth® enabled device have connected, the LCD display will show 'Bluetooth® Paired', and the Bluetooth® enabled device should also show 'SIGDAB' as 'Connected'.
5. Open your Bluetooth® enabled device such as a smartphone or MP3 player to stream the desired audio through the Radio's inbuilt speakers.

IMPORTANT: If the LCD display shows 'Bluetooth® Paired', this means that the last connected device is within the Bluetooth® reception range of the Radio. You will not be able to pair a new device until the previously connected device has been disconnected. You will need to turn off the Bluetooth® connection on the last connected device in order to connect to a new device. Please see the instructions on how to disconnect a 'Bluetooth® Paired' device.

Instructions (cont.)

Function	Button / Dial	Action
Play	PLAY	Short press once.
Pause	PAUSE	Short press once.
Skip to the next track	SKIP+	Short press once.
Skip to the previous track	SKIP-	Short press once.
Increase Volume	+ VOLUME (Dial)	Press and hold (button) or turn clockwise (dial).
Decrease Volume	- VOLUME (Dial)	Press and hold (button) or turn anticlockwise (dial).

NOTE: Do not turn the **VOLUME** control dial in a extremely fast motion. It is best to turn it slowly for more accurate volume control selection.

NOTE: If the current playing track is more than 2 seconds from the beginning, pressing the **SKIP-** button once will simply restart the track. If the currently playing track is less than 2 seconds from the beginning, pressing the **SKIP-** button once will skip to the previous track.

NOTE: When listening to tracks via Bluetooth®, always be aware that you may need to adjust the volume on both the Radio and the Bluetooth® enabled device to reach the required volume level. This is **EXTREMELY** important, because without doing this, you may not be able to hear any sound at all. Please ensure this is checked.

Disconnecting the Bluetooth® Enabled Device

To end the connection between the Bluetooth® enabled device and the Radio, follow the steps below.

1. Press the **FUNC./FUNCTION** button to enter a different audio mode; or
2. Press the **STANDBY** button to turn the Radio off; or
3. On the Bluetooth® enabled device, select 'SIGDAB' and then 'Disconnect' or 'Forget This Device'; or
4. Simply turn the Bluetooth® function OFF on the Bluetooth® enabled device.

Instructions (cont.)

Automatically Reconnecting the Bluetooth® Enabled Device

If Bluetooth® is activated on both the Radio and the Bluetooth® enabled device once again, the Radio may automatically reconnect to the Bluetooth® enabled device. If this does happen, the Bluetooth® enabled device will show as being connected to 'SIGDAB' and the LCD display on the Radio will show 'Bluetooth® Pairing'. This will mean that the audio on the Bluetooth® enabled device can now be streamed through the Radio immediately.

Automatic reconnection will ONLY happen if:

1. The Bluetooth® enabled device was the last device that the Radio was connected to.
2. The Bluetooth® enabled device has maintained 'SIGDAB' as one of its paired devices, the device should show a list of paired devices in the Bluetooth® menu or settings.
3. The Bluetooth® enabled device and the Radio are in close proximity to one another. Generally, Bluetooth® is only operable over an unobstructed distance of approximately 10m.

Tips for Operating Bluetooth® Connection

1. When pairing the Radio with your Bluetooth® enabled device, please place the Bluetooth® enabled device as close as possible to the Radio.
2. The Bluetooth® connection may not work well due to the below:
 - There is an obstacle between the Radio and the Bluetooth® enabled device.
 - There is a device using the same Bluetooth® frequency as the Radio such as medical equipment, microwave ovens or wireless LAN devices.
 - Pairing is limited to one Bluetooth® enable device. Multi-pairing is not supported.

CD Mode

The Radio features an inbuilt CD player so you can play any of your favourite CD's or compatible MP3 disc.

1. Press the **STANDBY** button on the main unit or the remote control to turn the Radio on.
2. Press the **FUNC.** button on the main unit or the **FUNCTION** button on the remote control, to cycle through the audio modes until 'Switching to CD' is shown on the LCD Display.

NOTE: The Radio will default to CD mode when another audio mode hasn't been previously selected or when the Radio has been switched off and unplugged from the outlet.

3. Press the **EJECT** button on the main unit or the remote control to open the CD tray. The LCD display will show 'Door Opened'.

NOTE: You can only open and close (EJECT) the CD drawer if the CD mode has been selected.

4. Place the disc into the CD tray with the mirrored side facing downwards.
5. Press the **EJECT** button again to close the CD tray. Once the disc is securely in the CD player, the unit will read the disc and the LCD display will show 'Reading'.

Instructions (cont.)

- When the CD is ready to play, the LCD display will show 'Track ##'. Press the **PLAY** button on the main unit or the remote control, to play the CD.
- To change or remove the CD being played, first press the **STOP** button on the main unit or remote control, then press the **EJECT** button. The CD tray will open and the LCD display will show 'Door Opened'.
- Carefully remove the CD, then press the **EJECT** button again to close the CD tray.
- To exit CD mode, follow the steps below.
 - Press the **FUNC./FUNCTION** button to select a different audio mode; or
 - Press the **STANDBY** button to turn the radio off.

NOTE: Please remember that the Radio will only play MP3 formatted files.

NOTE: The Radio will revert to the default settings of CD mode each time the Radio is switched off and unplugged from the power outlet.

NOTE: When the Radio is left in standby mode, the radio will automatically recall the last audio mode selected.

NOTE: If your MP3 disc has folders, you can use the **FOLDER-/FOLDER+** button on the remote control to select the desired folder.

NOTE: You cannot skip from folder to folder while playing a burnt disc. Press the **TUNER+** button to move through tracks, or until the next folder can be accessed.

CD Playback Controls

The below controls only apply to music playback through the CD player.

Button	Function
PLAY	Play a track.
PAUSE	Pause the track that is currently playing.
SKIP+	Press once to skip to the next track. Press and hold to fast forward through a track in progress. This function does not work for MP3 discs.
SKIP-	Press once to skip to the previous track. Press and hold to rewind through a track in progress. This function does not work for MP3 discs.
10+	Skip 10 tracks forwards.
10-	Skip 10 tracks backwards.

Instructions (cont.)

NOTE: If your CD has folders and there are less than 10 tracks in the folder, the 10+ button will still skip 10 tracks, but it will access the 10+ track, from the next folder in line.

To Repeat One, All Tracks or Select Random (Shuffle) Play

1. To repeat one track, press the **P-MODE** button once (when there is no repeat function selected). 'REP1' will show on the top left of the LCD display. Then press play to repeat the selected track on the CD or MP3 disc.
2. To repeat ALL tracks, press the **P-MODE** button twice (when there is no repeat function selected). 'REPA' will show on the top left of the LCD display. Then press play to repeat the all the tracks on the CD or MP3 disc.
3. To shuffle the tracks being played, press the **P-MODE** button again. 'RAND' will show on the top left of the LCD display. Then press play, the Radio will then play the tracks on the CD or MP3 disc in random order.
4. To disable any repeat or random selection, press the **P-MODE** button until 'REP1', 'REPA' or 'RAND' are no longer showing on the top left of the LCD display.

Programming Tracks to Play

The Radio allows the user to create a "playlist" in CD mode (when playing an MP3 disc). It will allow up to 99 tracks to be selected and played in order of P01 – P99. This is particularly handy if the MP3 disc has many tracks loaded, but only specific tracks need to be played (up to 99 tracks).

1. To program the tracks, first press the **STOP** button to stop all tracks from playing.
2. Press the **PROG.** button on the main unit or the remote control.
3. The LCD display will show 'PROG01' at the bottom of the LCD display and the letters 'PROG' will be flashing.
4. Press the **SKIP+** or **SKIP-** buttons on the main unit or the remote control panel to select the first track to be programmed. When this track is reached, press the **PROG.** button.
5. Once selected, the LCD display will show 'PROG02' at the bottom of the LCD display.
6. The process to set Track 02 is the same as the process already completed to set Track 01. This process will continue until all required tracks have been programmed, or until all 99 program numbers (P01 - P99) have been filled.
7. After you have completed adding tracks to your playlist, ensure you press the **PROG.** button to save. Press the **PLAY** button straight away to commence playback.
8. When playing the programmed "playlist", the user can still control the playing tracks as mentioned previously in the instructions. The only exceptions are the folders cannot be skipped or selected and random mode cannot be selected. You can use the **PLAY/PAUSE** button and **STOP** button while in the programme play mode. But ensure that the **STOP** button is pressed only once. After the **STOP** button is pressed, press the **PLAY** button to resume and the 'playlist' will start again from the first track.
9. To exit the programmed tracks, press the **STOP** button twice, until the 'PROG' is no longer displayed at the top of the LCD display. When you press the **PLAY** button again, the Radio will now recommence playing all tracks on your MP3 CD from Track 01.

NOTE: If there are many tracks saved on to the MP3 CD, it is suggested to listen to the tracks first and record down the track numbers required to be programmed to ensure that all tracks are programmed easily.

Instructions (cont.)

NOTE: Not all 99 program numbers need to be programmed to use this feature. For example, if only 5 tracks need to be programmed, once the **PROG.** button has been pressed to confirm the 5th track, simply press the **PLAY** button and the tracks will start playing from P01 – P05.

NOTE: When exiting a programmed list, all programmed "playlists" will be lost. The "playlists" will need to be programmed again, if required later.

USB Mode

You can play digital music from a USB drive of up to 64GB in size using the Radio.

This Radio features a USB input which enables MP3 or WMA files to be loaded on to a USB flash drive and played back through the Radio.

In order to play your MP3 files on the Radio, first load them on to a compatible USB storage device. We suggest using a USB flash drive and access by simply inserting the drive into the computer's USB port then copying and pasting (or drag and drop) compatible MP3 or WMA files on to the USB drive.

Once all files have been loaded, you can remove the USB drive from the computer, however, please ensure that the USB drive has been correctly ejected from the computer otherwise the files that have been transferred on to the drive may be damaged. If you are using a Windows PC, eject the USB device by clicking the 'SAFELY REMOVE HARDWARE' icon in the Windows system tray, then select the corresponding name of the USB device and if required choose 'STOP' and 'CONFIRM' if prompted by the pop-up window. Physically disconnect the USB drive when your computer prompts you that it is safe to remove your hardware. If you are using a Mac, you can safely remove the drive by dragging the USB icon on the desktop to the 'Trash'.

1. Press the **STANDBY** button on the main unit or the remote control to turn the Radio on.
2. Press the **FUNC.** button on the main unit or the **FUNCTION** button on the remote control, to select USB mode.
3. Plug your USB flash drive into the USB port located on the main unit, the Radio will start reading the files in the USB device.
4. Press the **PLAY** button on the main unit or the remote control, to start playing the files.
5. To pause the music, press the **PAUSE** button on the main unit or the remote control. To resume playing the music, press the **PLAY** button on the main unit or the remote control.
6. If your USB flash drive has folders, you can use the **FOLDER-/FOLDER+** button on the main unit or the remote control to select the desired folder.

NOTE: If the USB drive contains audio files which are not compatible with the Radio, the Radio will not be able to read them, so they will not be included in the count of tracks on the USB flash drive, and they will not play.

Instructions (cont.)

IMPORTANT: Before playing music/media from a USB flash drive, turn down the volume of the Radio to avoid a possible loud output from the speakers. Wait until the music/media is playing and then turn up the volume.

NOTE: Before removing the USB flash drive from the Radio, press the **STOP** button once to stop playback. Always check playback has completely stopped before removing the USB flash drive from the main unit.

USB Playback Controls

The below controls only apply to music playback through the USB flash drive.

Button	Function
PLAY	Play a track.
PAUSE	Pause the track that is currently playing.
SKIP+	Press once to skip to the next track. Press and hold to fast forward through a track in progress.
SKIP-	Press once to skip to the previous track. Press and hold to rewind through a track in progress.
10+	Skip 10 tracks forwards.
10-	Skip 10 tracks backwards.

NOTE: If your USB flash drive has folders and there are less than 10 tracks in the folder, the 10+ button will still skip 10 tracks, but it will access the 10+ track, from the next folder in line.

To Repeat One, All Tracks or Select Random (Shuffle) Play

1. To repeat one track, press the **P-MODE** button once (when there is no repeat function selected). 'REP1' will show on the top left of the LCD display. Then press play to repeat the selected track on the USB flash drive.
2. To repeat ALL tracks, press the **P-MODE** button twice (when there is no repeat function selected). 'REPA' will show on the top left of the LCD display. Then press play to repeat the all the tracks on the USB flash drive.
3. To shuffle the tracks being played, press the **P-MODE** button again. 'RAND' will show on the top left of the LCD display. Then press play, the Radio will then play the tracks on the USB flash drive in random order.
4. To disable any repeat or random selection, press the **P-MODE** button until 'REP1', 'REPA' or 'RAND' are no longer showing on the top left of the LCD display.

Instructions (cont.)

AUX Mode

The Radio features an auxiliary input (AUX-IN) which allows devices such as a smartphone, tablet, computer or other auxiliary compatible devices to be connected to the Radio via an auxiliary cable (not included). To connect the Radio to a device via the auxiliary input, follow the steps below.

1. Press the **STANDBY** button on the main unit or the remote control to turn the Radio on.
2. Press the **FUNC.** button on the main unit or the **FUNCTION** button on the remote control, to cycle through the audio modes and select AUX mode.
3. Connect one end of the AUX cable (not included) into the AUX input located on the left hand side of the Radio.
4. Connect the other end of the AUX cable into the desired media device.
5. Open the media player on the connected device to play the desired audio through the Radio's inbuilt speakers.
6. Use the media device (not the Radio) to control playback.

To exit AUX mode, follow the steps below.

- Press the **FUNC./FUNCTION** button to enter a different audio mode; or
- Press the **STANDBY** button to turn the radio off.

AUX Mode Playback Controls

Function	Button / Dial	Action
Increase Volume	+ VOLUME	Press and hold (button) or turn clockwise (dial).
Decrease Volume	- VOLUME	Press and hold (button) or turn anticlockwise (dial).

NOTE: When listening to tracks via the auxiliary input, always be aware that you may need to adjust the volume on both the Radio and the connected device to reach the required volume.

NOTE: Do not turn the **VOLUME** control dial in a extremely fast motion. It is best to turn it slowly for more accurate volume control selection.

Frequently Asked Questions

Q: Why is the Radio not powering on?

- A: Check that the power cord is connected to a power outlet and the power outlet is switched on.
- A: Check the power outlet is working by plugging in another appliance into the same power outlet and switching on.

Q: Why does the FM radio have static, and the DAB+ radio has intermittent cut outs?

- A: The FM/DAB+ station's signal may be too weak. Relocate the Radio to an area with better reception and ensure to adjust the antenna to an optimal position.

Q: Why is there no sound coming from the speakers?

- A: Ensure that the volume has been turned up by turning the **+ VOLUME** control dial clockwise on the main unit or by pressing the **+ VOLUME** button on the remote control.
- A: Ensure that the correct audio mode has been selected by pressing the **FUNC./FUNCTION** button.
- A: Ensure you have turned up the volume on your connected device if you are connected via the AUX input or by Bluetooth®. This is EXTREMELY important, because without doing this, you may not be able to hear any sound at all. Please ensure this is checked.

Q: Can I listen to AM radio?

- A: No. The unit can only find FM and DAB+ stations. Some AM stations that usually appear on the AM band may also be broadcasting via the DAB+ radio band, depending upon your available area.

Q: Can I check my area's DAB+ reception coverage?

- A: Yes. Check your reception coverage in your area by visiting <http://www.digitalradioplus.com.au/can-i-get-digital-radio> and entering your postcode. This Radio is suitable for areas with "Good Reception". If your address does not have "Good Reception", you may not be able to pick up all digital stations with this Radio.

Q: Why is 'Bluetooth® Pairing' showing on the LCD display?

- A: You have selected Bluetooth® playback and the Radio is attempting to connect to a previously paired device or is waiting for you to pair a new Bluetooth® enabled device.

Frequently Asked Questions (cont.)

Q: Why can I not connect via Bluetooth®?

- A:** Check that your device has Bluetooth® switched on and that you are in range of the Radio.
- A:** Check that there is no other Bluetooth® enabled device already connected. If a device that was previously connected is within range and has Bluetooth® enabled, the LCD display will show 'Bluetooth® Paired'. You will need to locate the device that is connected and disconnect the Bluetooth® on the paired device. Please see the instructions on page 22 for how to disconnect a Bluetooth® paired device.

Q: Why won't the USB drive play music?

- A:** Check that your USB drive has a size of up to 64GB, over 64GB in size will not play.
- A:** Ensure the music files are in MP3 or WMA format otherwise they will not play.
- A:** Check your USB flash drive is in good working order.

Q: Why is the current time and date not showing in FM mode?

- A:** In FM mode, the default time and date setting is '00:00 01-01-2012'. The time and date cannot be set manually. Once you have selected DAB+ mode on the Radio, the current date and time will then update and show when you select FM mode. Each time the Radio is returned to standby mode or is switched off and unplugged from the power outlet, the time and date will default to '00:00 01-01-2012' in FM mode.



Signify[®]

Retro DAB+ Radio with CD Player

Repair and Refurbished Goods or Parts Notice

Unfortunately, from time to time, faulty products are manufactured which need to be returned to the Supplier for repair.

Please be aware that if your product is capable of retaining user-generated data (such as files stored on a computer hard drive, telephone numbers stored on a mobile telephone, songs stored on a portable media player, games saved on a games console or files stored on a USB memory stick) during the process of repair, some or all of your stored data may be lost.

We recommend you save this data elsewhere prior to sending the product for repair.

You should also be aware that rather than repairing goods, we may replace them with refurbished goods of the same type or use refurbished parts in the repair process.

Please be assured though, refurbished parts or replacements are only used where they meet ALDI's stringent quality specifications.

If at any time you feel your repair is being handled unsatisfactorily, you may escalate your complaint. Please telephone us on 1300 777 137 or write to us at:

UNCLE BILL'S AUSTRALIA PTY LTD

48B Egerton Street, Silverwater NSW 1811 Australia

1300 777 137 Opening Hours - 9:00am - 4:30pm (Mon-Fri), 9:00am - 3:00pm (Sat)

service@unclebills.com.au

AFTER SALES SUPPORT

1300 777 137

service@unclebills.com.au

MODEL: EA2173 PRODUCT CODE: 709605 08/2022



Other Useful Information

Cleaning and Maintenance

Before cleaning the Radio, ensure the Radio is switched off and unplugged from the power outlet.

The Radio is likely only to require regular “dusting” to keep it clean. Use a standard duster, or a dry, soft microfibre cloth to remove the dust from the Radio. Remove the dust from the Radio regularly.

If the Radio becomes soiled with anything other than dust on its exterior, clean the exterior of the Radio by wiping over the surface with a slightly damp cloth and then polish with a soft, dry cloth. Ensure that no moisture or liquid enters the Radio, particularly around the LCD display and buttons.

Be careful when wiping over the Radio, that you do not apply too much pressure, as there is a risk that you may break parts.

Do not use detergents or abrasive cleaners, and do not allow moisture, water or other liquid to enter the Radio.

Storage

When the Radio is not in use, disconnect it from the power source and store in a cool, dry and well ventilated location out of direct sunlight. Ensure that it is not subject to humidity.

Trademarks

The Bluetooth® word mark and logos are registered trademarks owned by Bluetooth® SIGDAB, Inc. and are for compatibility purposes only. Other trademarks and trade names are those of their respective owners. These brands are not associated with this product and are not related to Uncle Bill's Australia Pty Ltd.

Other Useful Information (cont.)

Responsible Disposal

At the end of its working life, do not throw this appliance out with your household rubbish. Electrical and electronic products contain substances that can have a detrimental effect on the environment and human health if disposed of inappropriately. Observe any local regulations regarding the disposal of electrical consumer goods and dispose of it appropriately for recycling. Contact your local authorities for advice on recycling facilities in your area.


Please keep the original packaging carton and materials in a safe place. It will help to prevent any damage if the product needs to be transported in the future. In the event it is to be disposed of, please recycle all packaging material where possible.

If you require an alternative format of this instruction manual such as website, email or DVD please contact service@unclebills.com.au.

The Radio has been fully tested and meets all requirements as set out by the below testing standards:

AS/NZS 62368

Specification Table

MODEL:	EA2173
FM FREQUENCY RANGE:	87.5MHz - 108MHz
DAB+ FREQUENCY RANGE:	174MHz - 240MHz
VOLTAGE:	220-240V~ 50Hz
POWER CONSUMPTION:	20W
USB OUTPUT:	5V  0.15A
REMOTE CONTROL:	DC 3V (AAA x 2PCS)
DIMENSIONS:	34.5 x 21.2 x 22.5cm
NET WEIGHT:	3.32KG (INCLUDING REMOTE CONTROL)
VERSION NO:	1.7
ISSUE DATE:	24th March, 2022

THIS DOCUMENT CONTAINS INFORMATION THAT IS SUBJECT TO CHANGE WITHOUT PRIOR NOTICE.

Notes

Notes



ALDI guarantees that our exclusive brand products are developed to our stringent quality specifications. If you are not entirely satisfied with this product, please return it to your nearest ALDI store within 60 days from the date of purchase for a full refund or replacement, or take advantage of our after sales support by calling the supplier's Customer Service Hotline.



Made in China

ALDI STORES, 1 SARGENTS ROAD

MINCHINBURY NSW 2770

www.aldi.com.au

AFTER SALES SUPPORT



AUS 1300 777 137



service@unclebills.com.au

MODEL: EA2173

PRODUCT CODE: 709605

08/2022

1

YEAR WARRANTY