

SIGNIFY

50"
1080P
FULL HD
LED LCD TV



Quick Start Guide

EA0816

Getting Started

Please refer to the instruction manual for full instructions on how to operate the 50" Full High Definition LED LCD TV.

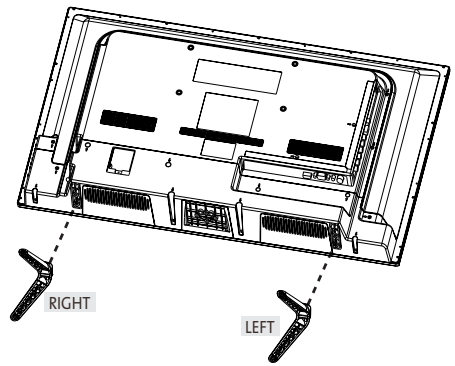
1 PARTS LIST

In the box you will find:

- 1 x 50" Full High Definition LED LCD TV
- 1 x Remote control
- 2 x AAA batteries (not pictured)
- 2 x Base Stands (including 4x screws)
- 1 x Composite AV Cable (not pictured)

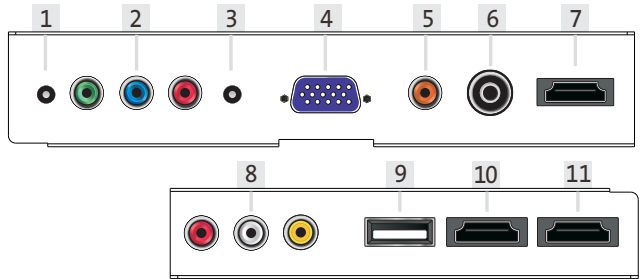
WHAT YOU WILL NEED

- Phillips head screwdriver (for stand installation)
- Antenna cable



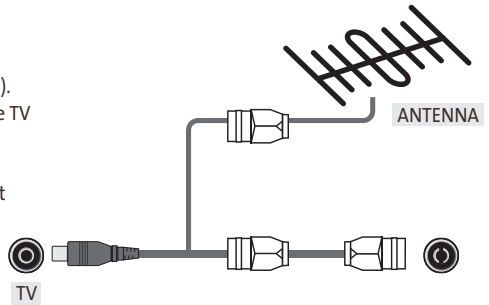
2 CONNECTIONS

- 1. Earphone output
- 2. Y/Pb/Pr input (component)
- 3. PC audio input
- 4. VGA in
- 5. Coaxial output
- 6. Antenna input
- 7. HDMI1
- 8. Video input (composite)
- 9. USB input
- 10. HDMI2
- 11. HDMI3



3 INSTALLATION AND POWER CONNECTION

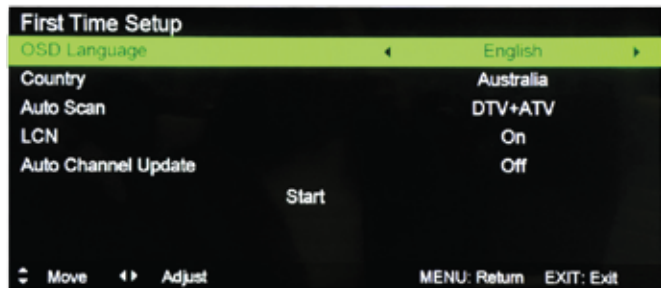
- 1. Install the stand (see page 14 of the instruction manual).
- 2. Connect the antenna cable to the Antenna socket of the TV and the other end to the antenna wall socket.
- 3. Insert the batteries into the remote control.
- 4. Connect the TV power cord into the mains power socket and switch it on.
- 5. Press the power button on the remote control. The standby light will turn blue and the TV screen will display the initial setup.



4 EASY SETUP SCREEN

The on-screen display will contain easy instructions for setting up the unit (see page 23 of the instruction manual).

Select Start to activate Auto Scan using the arrow buttons and press OK on the remote. The TV will automatically tune all the digital channels.



5 You are now ready to start watching your high quality Signify® TV set.

Item Code: EA0816